

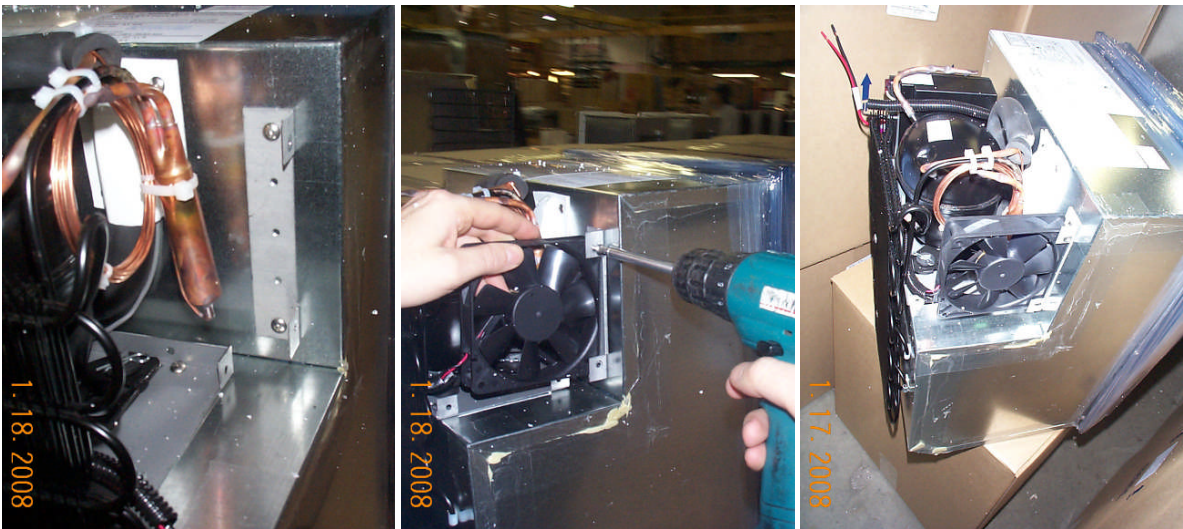
Memo

To: Nova Kool Customers

Re: Installation of FAN on R1600/R1900/R2600/R3000

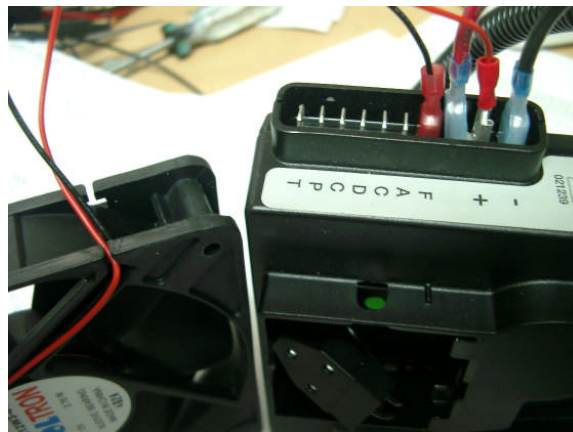
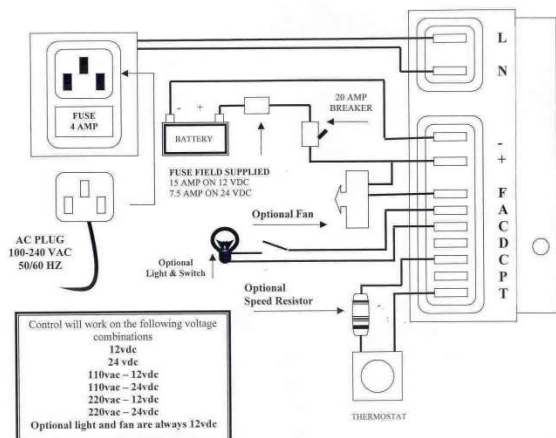
INSTALLATION OF FAN KIT

Install fan bracket to cabinet, as shown with provided screws, you may have to drill a pilot hole for the screws, then mount fan to fan bracket with provided machine screws. Position the fan so that the air is blowing towards the compressor.



Connect the red wire to the “+”, (we have provided a piggy back terminal for the DC connection) and connect the black wire to the “F” terminal

Nova Kool Mfg. Inc.
AC/DC Wiring diagram



For more information contact Nova Kool @604-523-6515 pacific standard time